

Planetary Rotations



We build advanced equipment, develop layouts, and model processes for precision optical coating systems. We specialize in highly uniform coatings for demanding defense, aerospace, and scientific applications.

Talk to us today regarding an estimate for a Custom Coating System specific to your needs!

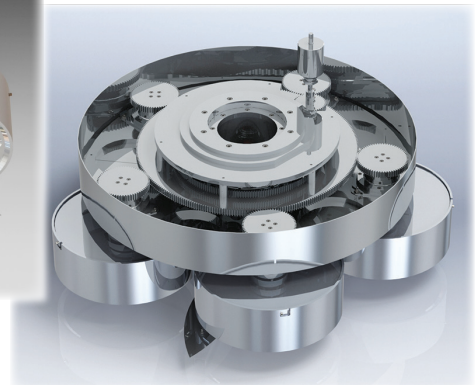
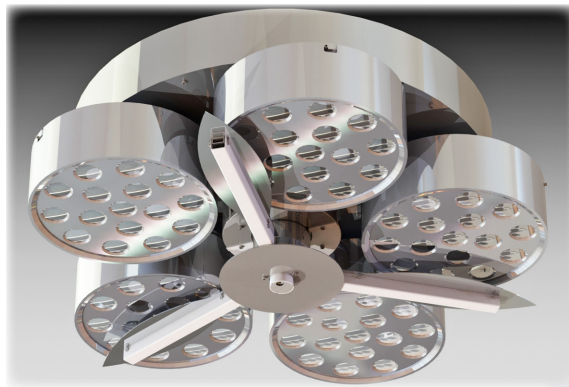
(585) 298-9579

Vacuum Innovations' Planetary Rotation Systems provide optimal uniformity of your optical coating deposition through advanced design. Our engineers anticipate potential errors during the design process and incorporate solutions to build the most reliable Planetary Rotations that will provide you with exceptional results.

We understand what leads to uniformity in thin film deposition. With all of our custom builds:

- Gear ratios are analyzed to yield a high degree of random motion
- Uniformity is modeled based on the system's geometry
- Custom masks are then laser-cut to provide optimal performance

Better Engineering. Better Performance. Better Results.



Advanced Film Control

- Optimal gear ratios
- Low-profile design to maximize source-to-substrate distance
- Integrated masking typically yields < 0.5% non uniformity
- Available integrated multi-point quartz crystal monitoring

Solid, Precise Construction

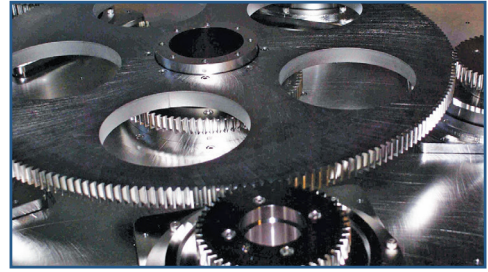
- Extra heavy-duty electropolished 304SS construction
- Precision tolerated and machined components for flat, in-plane rotation
- Large, high-load bearings for reliable operation

Looking for Better Engineered Optical Coating Products?

Call us at (585) 298-9579 | VacuumInnovations.com

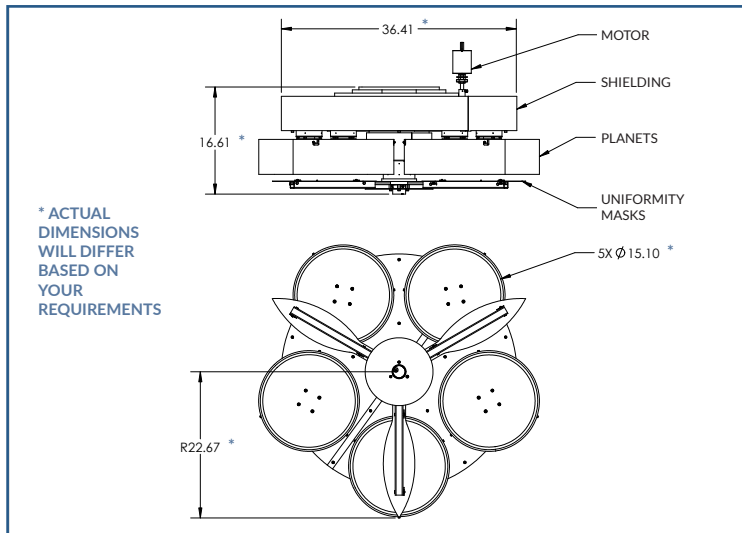
Planetary Rotations

Wide-faced gears and large cross-section, large-diameter bearings ensure smooth operation of our Planetary Rotations.



Custom Solutions

We customize your planetary to best meet your needs, particularly with regards to the number and size of planets, thickness of substrates to be coated, required clearance between the planet and masks, and placement of masks relative to source locations.



Specifications:

This is an example of a Planetary Rotation for a 48" Chamber.

All dimensions will be **customized** based on your specific needs.

More Products from Vacuum Innovations:

Design & Manufacture of Custom Systems • Quartz Heaters
Crystal Heads • Source Shutters • Resistance Sources
Right Angle Drives • Consulting • Coating Classes



(585) 298-9579 • sales@vacuuminnovations.com

VacuumInnovations.com